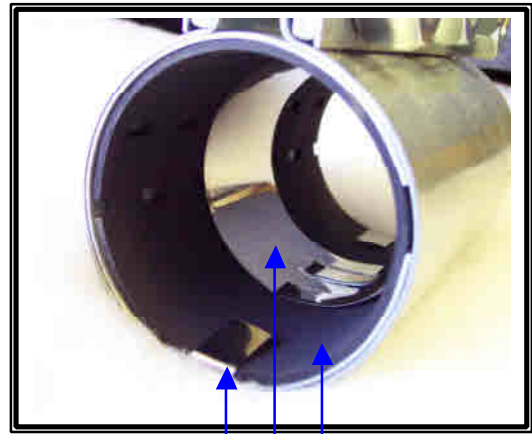


COUPLINGS (compression)



GND STRIP (GS)
 GASKET PROTECTOR (GP)
 GASKET NEOPRENE (GAS)
 INCLUDES GND STRIP (GS)

| COUPLING | PART # INCLUDES: GAS, *GP & GS |
|--------------|-----------------------------------|
| 1.5" 2 BOLT | 412914 |
| 1.5" 3 BOLT | 404602 |
| 1.75" 2 BOLT | 414523 |
| 1.75" 3 BOLT | 414524 |
| 2.0" 2 BOLT | 412915 |
| 2.0" 3 BOLT | 404603 |
| 2.25" 2 BOLT | 414525 |
| 2.25" 3 BOLT | 414526 |
| 2.5" 3 BOLT | 408004 |
| 3.0" 3 BOLT | 404601 |
| 4.0" 3 BOLT | 414507 |
| 4.0" 4 BOLT | 405840 |
| 5.0" 4 BOLT | 414508 |
| 6.0" 4 BOLT | 414509 |

| COUPLING | (GAS) NEOPRENE | (GP) |
|--------------|-------------------|--------|
| 1.5" 2 BOLT | 414512 | ---- |
| 1.5" 3 BOLT | 405910 | 414527 |
| 1.75" 2 BOLT | 414519 | ---- |
| 1.75" 3 BOLT | 414520 | 414528 |
| 2.0" 2 BOLT | 405911 | ---- |
| 2.0" 3 BOLT | 407999 | 414529 |
| 2.25" 2 BOLT | 414521 | ---- |
| 2.25" 3 BOLT | 414522 | 414530 |
| 2.5" 3 BOLT | 414513 | 414531 |
| 3.0" 3 BOLT | 414514 | 414532 |
| 4.0" 3 BOLT | 414515 | 414533 |
| 4.0" 4 BOLT | 414516 | 414534 |
| 5.0" 4 BOLT | 414517 | 414535 |
| 6.0" 4 BOLT | 414518 | 414536 |

* GASKET PROTECTOR (GP) NOT INCLUDED
 W/2BOLT COUPLINGS

COUPLINGS (quick coupler)

| DESCRIPTION | PART # |
|---------------------------------|--------|
| 1-1/2" ADAPT FEM. TO HOSE ALUM. | 405844 |
| 2" ADAPT FEM TO HOSE ALUM. | 404613 |
| 2-1/2" ADAPT FEM. TO HOSE ALUM. | 407004 |
| 3" ADAPT FEM TO HOSE ALUM. | 404608 |
| 4" ADAPT FEM. TO HOSE ALUM. | 414537 |
| 5" ADAPT FEM. TO HOSE ALUM. | 414538 |
| 6" ADAPT FEM. TO HOSE ALUM. | 414539 |



| SIZE | GASKET (BUNA MAT'L) |
|--------|------------------------|
| 1-1/2" | 414540 |
| 2" | 414541 |
| 2-1.2" | 414542 |
| 3" | 414543 |
| 4" | 414544 |
| 5" | 414545 |
| 6" | 414546 |

| DESCRIPTION | PART # |
|-----------------------|--------|
| 1-1/2" DUST CAP ALUM. | 404612 |
| 2" DUST CAP ALUM. | 404611 |
| 2-1/2" DUST CAP ALUM. | 407147 |
| 3" DUST CAP ALUM. | 404570 |
| 4" DUST CAP ALUM. | 405816 |
| 5" DUST CAP ALUM. | 407148 |
| 6" DUST CAP ALUM. | 414549 |



| DESCRIPTION | PART # |
|------------------------|--------|
| 1-1/2" DUST PLUG ALUM. | 404738 |
| 2" DUST PLUG ALUM. | 404575 |
| 2-1/2" DUST PLUG ALUM. | 414550 |
| 3" DUST PLUG ALUM. | 404437 |
| 4" DUST PLUG ALUM. | 414551 |
| 5" DUST PLUG ALUM. | 414552 |
| 6" DUST PLUG ALUM. | 414553 |



| SIZE | CHAIN BRASS |
|----------|----------------|
| 6" LONG | 405818 |
| 12" LONG | 407057 |



| DESCRIPTION | PART # |
|--------------------------------|--------|
| 1-1/2" ADAP MALE TO TUBE W/NUT | 405849 |
| 2" ADAP MALE TO TUBE W/NUT | 404626 |
| 2-1/2" ADAP MALE TO TUBE W/NUT | 407005 |
| 3" ADAP MALE TO TUBE W/NUT | 404614 |
| 4" ADAP MALE TO TUBE W/NUT | 405778 |



| SIZE | COMP. NUT | GASKET |
|--------|-----------|--------|
| 1-1/2" | 414554 | 414558 |
| 2" | 414555 | 414559 |
| 2-1/2" | 414556 | 414560 |
| 3" | 414557 | 414561 |

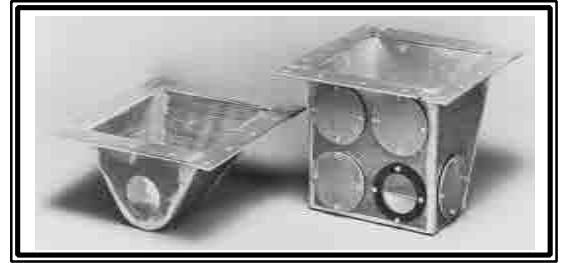
| DESCRIPTION | PART # |
|---------------------------------------|--------|
| 1-1/2" ADAP QUICKIE MALE TO TUBE 16GA | 414450 |
| 2" ADAP QUICKIE MALE TO TUBE 16GA | 414451 |
| 2-1/2" ADAP QUICKIE MALE TO TUBE 16GA | 414452 |
| 3" ADAP QUICKIE MALE TO TUBE 14GA | 414453 |
| 4" ADAP QUICKIE MALE TO TUBE 11GA | 414454 |



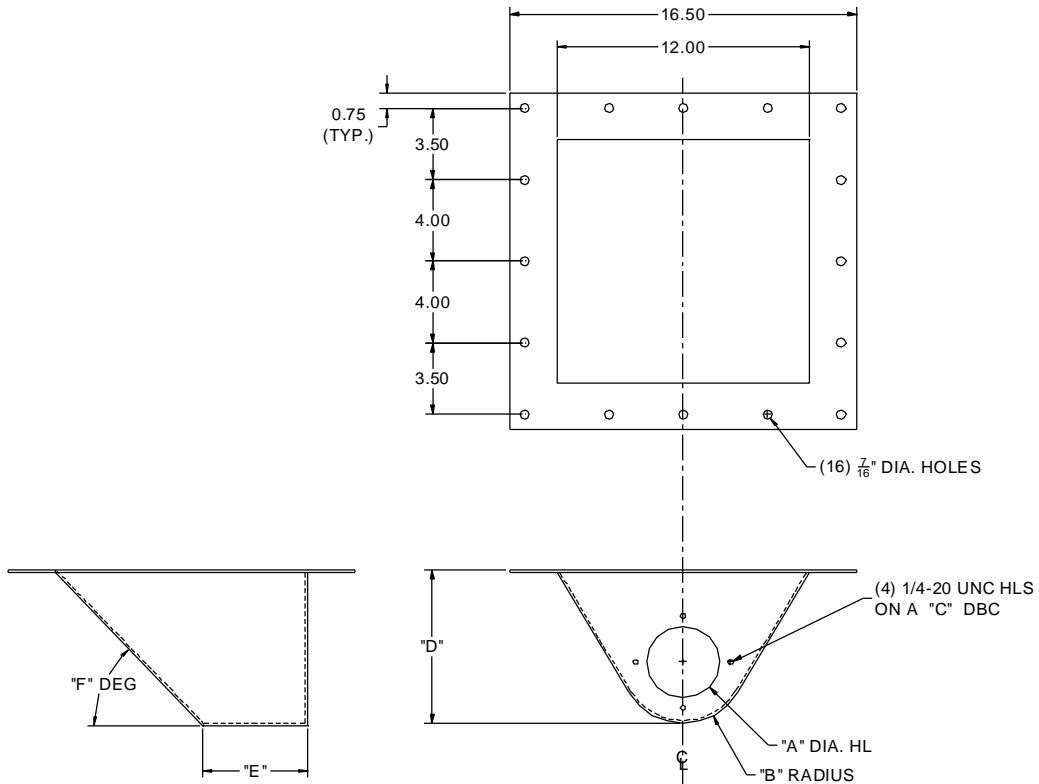
Single & Multiple Probe Boxes

Single Pick-Up Probe Boxes

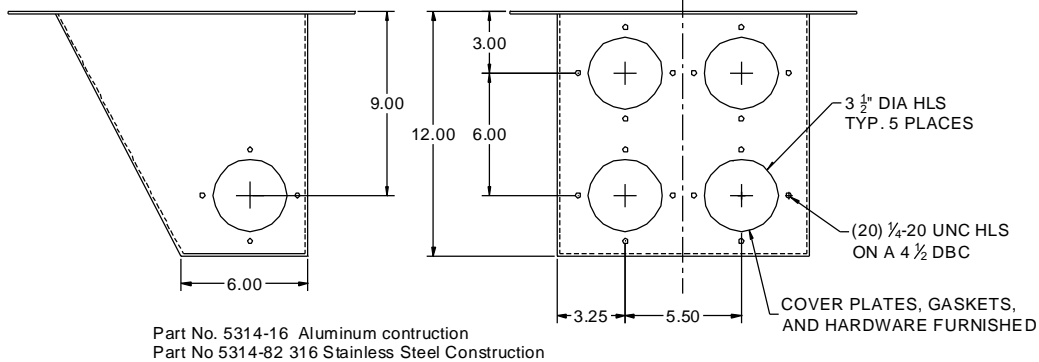
| Probe size | Part No. | | A | B | C | D | E | F |
|-----------------|----------|----------|--------|----|--------|--------|--------|------|
| | Aluminum | 316 S.S. | | | | | | |
| 1 1/2 2 2 1/2 3 | 5314-48 | 5314-83 | 3 1/2" | 3" | 4 1/2" | 7 1/2" | 5" | 45 D |
| 4 | 5314-58 | --- | 5 1/4" | 4" | 6 1/2" | 8 3/4" | 7 1/4" | 60 D |



Single Pick-Up Probe Boxes



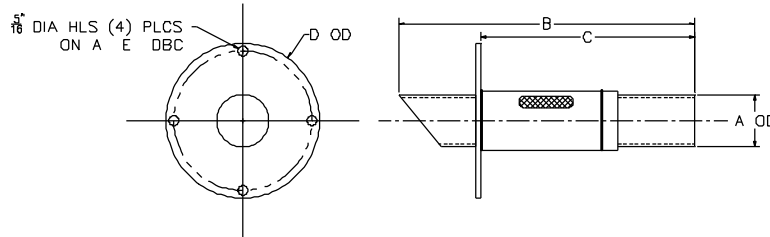
Multiple Pick-Up Probe Boxes



Part No. 5314-16 Aluminum construction
 Part No 5314-82 316 Stainless Steel Construction

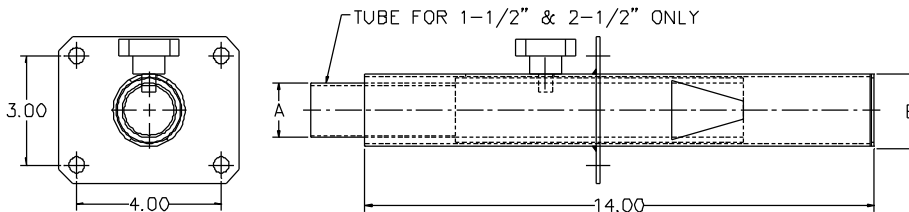
TAKE OFF's 5000 series

| Size Tubing | Part No. 5000 series | | A | B | C | D | E |
|-------------|----------------------|----------|-------|--------|-------|-------|-------|
| | Aluminum | 316 S.S. | | | | | |
| 1-1/2 | 5314-40 | -- | 1-1/2 | 11-3/8 | 7 | 5-1/2 | 4-1/2 |
| 2 | 5314-13 | 5314-86 | 2 | 12-1/2 | 7-7/8 | 5-1/2 | 4-1/2 |
| 2-1/2 | 5314-68 | -- | 2-1/2 | 13-1/4 | 7-7/8 | 5-1/2 | 4-1/2 |
| 3 | 5314-47 | 5314-88 | 3 | 14 | 8-3/4 | 5-1/2 | 4-1/2 |
| 4 | 5314-57 | | 4 | 17 | 9-3/4 | 7-1/2 | 6-1/2 |



TAKE OFF's W/SLIDE TUBES

| SIZE | A | B | PART NO |
|-------|-------|---|-----------|
| 1-1/2 | 1-1/2 | 2 | AS97011-C |
| 2 | -- | 2 | AS97012-C |
| 2-1/2 | 2-1/2 | 3 | AS99023-C |
| 3 | -- | 3 | AS99024-C |



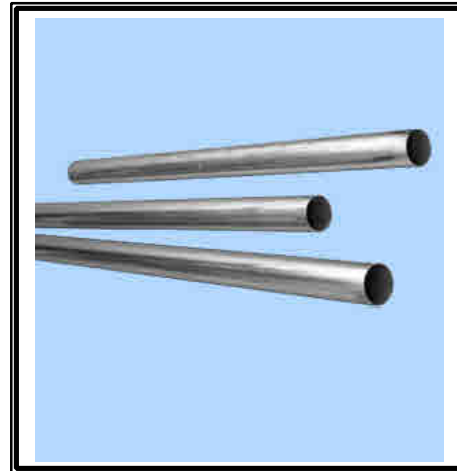
PICKUP TUBES

| DESCRIPTION | PART # |
|----------------------------------|----------|
| 1-1/2" O.D. S.S. | 300466 |
| 2" O.D. S.S. | 300482 |
| 2-1/2" O.D. S.S. | 303094-C |
| 3" O.D. S.S. | 300952-C |
| KNOB FOR PICKUP TUBES (W/NYLOCK) | 407996 |
| KNOB FOR DRYERS | 414820 |



STRAIGHTS

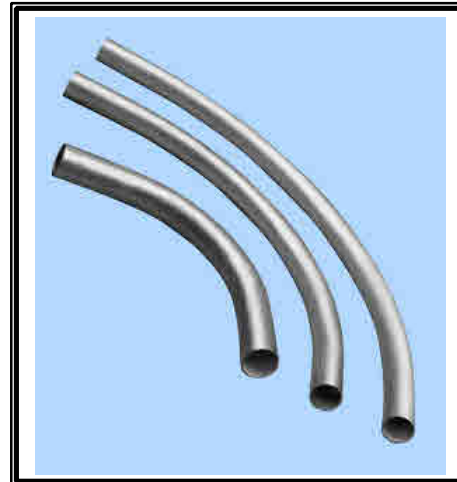
| DESCRIPTION | PART # |
|-------------------|--------|
| 1 1/2" 16GA ALUM. | 406679 |
| 1 1/2" 16GA S.S. | 404864 |
| 2.0" 16GA ALUM. | 406680 |
| 2.0" 16GA S.S. | 406671 |
| 2.5" 16GA ALUM. | 407149 |
| 2.5" 16GA S.S. | 414192 |
| 3.0" 14GA ALUM. | 404880 |
| 3.0" 14GA S.S. | 414564 |
| 4.0" 11GA ALUM. | 406682 |
| 4.0" 11GA S.S. | 414565 |
| 5.0" 11GA ALUM. | 414566 |
| 5.0" 11GA S.S. | 414567 |
| 6.0" 11GA ALUM. | 414568 |
| 6.0" 11GA S.S. | 414569 |



**STRAIGHTS & BENDS
 AVAILABLE IN ALUMINUM,
 STAINLESS & CERAMIC LINED
 IN A VARIETY OF WALL
 THICKNESSES AND SIZES.
 CALL FOR COMPLETE LIST.**

BENDS

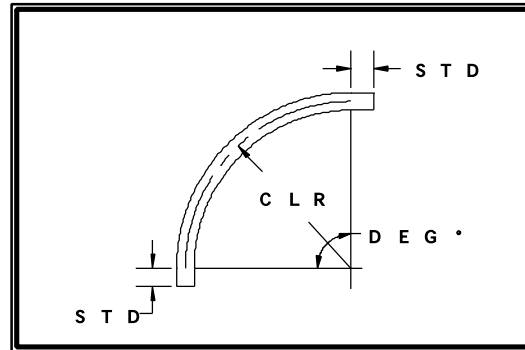
| DESCRIPTION | PART # |
|----------------------------------|--------|
| 1 1/2" 16GA ALUM. 45DEG. 6" CLR | 414562 |
| 1 1/2" 16GA ALUM. 90DEG. 6" CLR | 414570 |
| 1 1/2" 16GA S.S. 45DEG. 6" CLR | 414571 |
| 1 1/2" 16GA S.S. 90DEG. 6" CLR | 414572 |
| 1 1/2" 16GA ALUM. 45DEG. 12" CLR | 414573 |
| 1 1/2" 16GA ALUM. 90DEG. 12" CLR | 414574 |
| 1 1/2" 16GA S.S. 45DEG. 12" CLR | 414575 |
| 1 1/2" 16GA S.S. 90DEG. 12" CLR | 414576 |
| 1 1/2" 16GA ALUM. 45DEG. 18" CLR | 414577 |
| 1 1/2" 16GA ALUM. 90DEG. 18" CLR | 414578 |
| 1 1/2" 16GA S.S. 45DEG. 18" CLR | 414579 |
| 1 1/2" 16GA S.S. 90DEG. 18" CLR | 414580 |
| 1 1/2" 16GA ALUM. 45DEG. 24" CLR | 410462 |
| 1 1/2" 16GA ALUM. 90DEG. 24" CLR | 404994 |
| 1 1/2" 16GA S.S. 45DEG. 24" CLR | 414581 |
| 1 1/2" 16GA S.S. 90DEG. 24" CLR | 404993 |
| 1 1/2" 16GA ALUM. 45DEG. 30" CLR | 414582 |
| 1 1/2" 16GA ALUM. 90DEG. 30" CLR | 414583 |
| 1 1/2" 16GA S.S. 45DEG. 30" CLR | 414584 |
| 1 1/2" 16GA S.S. 90DEG. 30" CLR | 414585 |
| 1 1/2" 16GA ALUM. 45DEG. 36" CLR | 414586 |
| 1 1/2" 16GA ALUM. 90DEG. 36" CLR | 414587 |
| 1 1/2" 16GA S.S. 45DEG. 36" CLR | 414588 |
| 1 1/2" 16GA S.S. 90DEG. 36" CLR | 414589 |



**TUBING HANGERS ARE AVAILABLE IN A
 VARIETY OF HOLE PATTERNS AND SIZES.**

Tube Bending Capabilities

Pipe and tube bends of up to 180 degrees are readily available in aluminum, stainless, carbon steel and galvanized in the sizes listed below. Other centerline radii are available but not shown. Special shapes, "U" bends, offsets, and bifurcated bends available upon request.



| TUBE SIZE | PIPE SIZE | OUTSIDE DIAMETER | | COMMON CENTERLINE RADI (CLR) INCHES | STD. TANGENT (ST) |
|-----------|-----------|------------------|-------------|--|-------------------|
| | | INCHES | MILLIMETERS | | |
| 1" | | 1.0 | 25.4 | 3, 4, 6, 12 | 4" |
| | 1" | 1.315 | 33.4 | 3, 5 | 4" |
| 1-1/4" | | 1.25 | 31.8 | 3, 7, 25 | 4" |
| | 1-1/4" | 1.660 | 42.2 | 3.5, 4, 6, 25 | 4" |
| 1-1/2" | | 1.5 | 38.1 | 2.5, 6, 7.5, 9, 12, 15, 18, 24, 30, 36 | 4" |
| 1-3/4" | | 1.75 | 44.5 | 2.5, 8, 9, 12, 15, 24, 30, 36, 48 | 4" |
| | 1-1/2" | 1.9 | 48.3 | 5, 6, 7.5, 9, 10, 12, 18, 24, 30, 36, 48 | 4" |
| 2" | | 2.0 | 50.8 | 2.5, 5, 6, 8, 8.5, 9, 10, 12, 15, 18, 24, 30, 36, 48 | 4" |
| 2-1/8" | | 2.125 | 54.0 | 5, 12, 24, 30, 36 | 4-1/4" |
| 2-1/4" | | 2.25 | 57.2 | 3, 9, 12, 15, 17, 24, 30, 36 | 4-1/2" |
| | 2" | 2.375 | 60.2 | 6, 7.5, 10, 12, 15, 17, 24, 30, 36, 48 | 4" |
| 2-1/2" | | 2.5 | 63.5 | 4, 6, 9, 12, 15, 17, 24, 30, 36, 48 | 5" |
| 2-3/4" | | 2.75 | 69.9 | 17, 30, 36, 48 | 5-1/2" |
| | 2-1/2" | 2.875 | 73.0 | 12, 12.5, 15, 17, 24, 30, 36, 60 | 5" |
| 3" | | 3.0 | 76.2 | 4.5, 7.5, 9, 10, 12, 15, 18, 24, 30, 36, 48, 60 | 6" |
| 3-1/4" | | 3.25 | 82.6 | 17, 30, 36 | 6-1/2" |
| 3-1/2" | 3" | 3.5 | 88.9 | 3.5, 6, 8.75, 12, 15, 16, 18, 24, 30, 36, 48 | 7" (6" - pipe) |
| 3-3/4" | | 3.75 | 95.3 | 17, 24, 32, 36 | 7-1/2" |
| 4" | 3-1/2" | 4.0 | 101.6 | 6, 10, 12, 16, 18, 20, 24, 30, 32, 36, 48, 60 | 8" (7" - pipe) |
| 4-1/4" | | 4.25 | 107.9 | 16, 30, 36, 48, 60 | 8-1/2" |
| 4-1/2" | 4" | 4.5 | 114.3 | 6, 9, 12, 16, 18, 20, 24, 30, 32, 36, 48, 60 | 9" (8" - pipe) |
| 4-3/4" | | 4.75 | 120.7 | 36 | 9-1/2" |
| 5" | | 5.0 | 127.0 | 7.5, 12.5, 17, 22, 24, 30, 36, 42, 48, 60 | 10" |
| | 5" | 5.563 | 141.3 | 15, 20, 24, 30, 36, 42, 48, 60, 72 | 10" |
| 5-1/2" | | 5.5 | 139.7 | 30, 36 | 11" |
| 6" | | 6.0 | 152.4 | 9, 15, 18, 24, 30, 36, 42, 48, 60, 72 | 12" |
| | 6" | 6.625 | 168.2 | 18, 24, 30, 36, 42, 48, 60, 72 | 12" |
| 6" | | 8.0 | 203.2 | 12, 20, 32, 48, 60, 72 | 16" |
| | 8" | 8.625 | 219.1 | 24, 32, 40, 48, 60, 72 | 16" |
| | 10" | 10.75 | 273.1 | 40, 50 | 20" |

Capabilities subject to change without notice.

BENDS cont.

| DESCRIPTION | PART # |
|------------------------------|--------|
| 2" 16GA ALUM. 45DEG. 6" CLR | 414591 |
| 2" 16GA ALUM. 90DEG. 6" CLR | 413992 |
| 2" 16GA S.S. 45DEG. 6" CLR | 414592 |
| 2" 16GA S.S. 90DEG. 6" CLR | 414593 |
| 2" 16GA ALUM. 45DEG. 12" CLR | 414594 |
| 2" 16GA ALUM. 90DEG. 12" CLR | 414595 |
| 2" 16GA S.S. 45DEG. 12" CLR | 414596 |
| 2" 16GA S.S. 90DEG. 12" CLR | 414597 |
| 2" 16GA ALUM. 45DEG. 18" CLR | 414598 |
| 2" 16GA ALUM. 90DEG. 18" CLR | 414599 |
| 2" 16GA S.S. 45DEG. 18" CLR | 414600 |
| 2" 16GA S.S. 90DEG. 18" CLR | 414601 |
| 2" 16GA ALUM. 45DEG. 24" CLR | 414602 |
| 2" 16GA ALUM. 90DEG. 24" CLR | 405162 |
| 2" 16GA S.S. 45DEG. 24" CLR | 404013 |
| 2" 16GA S.S. 90DEG. 24" CLR | 414603 |
| 2" 16GA ALUM. 45DEG. 30" CLR | 414604 |
| 2" 16GA ALUM. 90DEG. 30" CLR | 414605 |
| 2" 16GA S.S. 45DEG. 30" CLR | 414606 |
| 2" 16GA S.S. 90DEG. 30" CLR | 414607 |
| 2" 16GA ALUM. 45DEG. 36" CLR | 414608 |
| 2" 16GA ALUM. 90DEG. 36" CLR | 414609 |
| 2" 16GA S.S. 45DEG. 36" CLR | 414610 |
| 2" 16GA S.S. 90DEG. 36" CLR | 414611 |
| 2" 16GA ALUM. 45DEG. 48" CLR | 414612 |
| 2" 16GA ALUM. 90DEG. 48" CLR | 414613 |
| 2" 16GA S.S. 45DEG. 48" CLR | 414614 |
| 2" 16GA S.S. 90DEG. 48" CLR | 414615 |

| DESCRIPTION | PART # |
|----------------------------------|--------|
| 2 1/2" 16GA ALUM. 45DEG. 6" CLR | 414616 |
| 2 1/2" 16GA ALUM. 90DEG. 6" CLR | 414617 |
| 2 1/2" 16GA S.S. 45DEG. 6" CLR | 414618 |
| 2 1/2" 16GA S.S. 90DEG. 6" CLR | 414619 |
| 2 1/2" 16GA ALUM. 45DEG. 12" CLR | 414620 |
| 2 1/2" 16GA ALUM. 90DEG. 12" CLR | 414621 |
| 2 1/2" 16GA S.S. 45DEG. 12" CLR | 414622 |
| 2 1/2" 16GA S.S. 90DEG. 12" CLR | 414623 |
| 2 1/2" 16GA ALUM. 45DEG. 24" CLR | 414624 |
| 2 1/2" 16GA ALUM. 90DEG. 24" CLR | 414625 |
| 2 1/2" 16GA S.S. 45DEG. 24" CLR | 405035 |
| 2 1/2" 16GA S.S. 90DEG. 24" CLR | 405034 |
| 2 1/2" 16GA ALUM. 45DEG. 30" CLR | 414628 |
| 2 1/2" 16GA ALUM. 90DEG. 30" CLR | 414629 |
| 2 1/2" 16GA S.S. 45DEG. 30" CLR | 414630 |
| 2 1/2" 16GA S.S. 90DEG. 30" CLR | 414631 |
| 2 1/2" 16GA ALUM. 45DEG. 36" CLR | 407146 |
| 2 1/2" 16GA ALUM. 90DEG. 36" CLR | 407145 |
| 2 1/2" 16GA S.S. 45DEG. 36" CLR | 406038 |
| 2 1/2" 16GA S.S. 90DEG. 36" CLR | 406033 |
| 2 1/2" 16GA ALUM. 45DEG. 48" CLR | 414634 |
| 2 1/2" 16GA ALUM. 90DEG. 48" CLR | 414635 |
| 2 1/2" 16GA S.S. 45DEG. 48" CLR | 406041 |
| 2 1/2" 16GA S.S. 90DEG. 48" CLR | 414637 |

BENDS cont.

| DESCRIPTION | PART # |
|------------------------------|--------|
| 3" 14GA ALUM. 45DEG. 12" CLR | 414638 |
| 3" 14GA ALUM. 90DEG. 12" CLR | 414639 |
| 3" 14GA S.S. 45DEG. 12" CLR | 414640 |
| 3" 14GA S.S. 90DEG. 12" CLR | 414641 |
| 3" 14GA ALUM. 45DEG. 18" CLR | 414642 |
| 3" 14GA ALUM. 90DEG. 18" CLR | 414643 |
| 3" 14GA S.S. 45DEG. 18" CLR | 414644 |
| 3" 14GA S.S. 90DEG. 18" CLR | 414645 |
| 3" 14GA ALUM. 45DEG. 24" CLR | 414646 |
| 3" 14GA ALUM. 90DEG. 24" CLR | 414647 |
| 3" 14GA S.S. 45DEG. 24" CLR | 414648 |
| 3" 14GA S.S. 90DEG. 24" CLR | 414649 |
| 3" 14GA ALUM. 45DEG. 30" CLR | 414650 |
| 3" 14GA ALUM. 90DEG. 30" CLR | 414651 |
| 3" 14GA S.S. 45DEG. 30" CLR | 406032 |
| 3" 14GA S.S. 90DEG. 30" CLR | 406031 |
| 3" 14GA ALUM. 45DEG. 36" CLR | 407540 |
| 3" 14GA ALUM. 90DEG. 36" CLR | 403950 |
| 3" 14GA S.S. 45DEG. 36" CLR | 405037 |
| 3" 14GA S.S. 90DEG. 36" CLR | 405036 |
| 3" 14GA ALUM. 45DEG. 48" CLR | 414656 |
| 3" 14GA ALUM. 90DEG. 48" CLR | 414657 |
| 3" 14GA S.S. 45DEG. 48" CLR | 414658 |
| 3" 14GA S.S. 90DEG. 48" CLR | 414659 |
| 3" 14GA ALUM. 45DEG. 60" CLR | 414660 |
| 3" 14GA ALUM. 90DEG. 60" CLR | 414661 |
| 3" 14GA S.S. 45DEG. 60" CLR | 414662 |
| 3" 14GA S.S. 90DEG. 60" CLR | 414663 |

| DESCRIPTION | PART # |
|------------------------------|--------|
| 4" 11GA ALUM. 45DEG. 12" CLR | 414664 |
| 4" 11GA ALUM. 90DEG. 12" CLR | 414665 |
| 4" 11GA S.S. 45DEG. 12" CLR | 414666 |
| 4" 11GA S.S. 90DEG. 12" CLR | 414667 |
| 4" 11GA ALUM. 45DEG. 18" CLR | 414668 |
| 4" 11GA ALUM. 90DEG. 18" CLR | 414669 |
| 4" 11GA S.S. 45DEG. 18" CLR | 414670 |
| 4" 11GA S.S. 90DEG. 18" CLR | 414671 |
| 4" 11GA ALUM. 45DEG. 24" CLR | 414672 |
| 4" 11GA ALUM. 90DEG. 24" CLR | 414673 |
| 4" 11GA S.S. 45DEG. 24" CLR | 414674 |
| 4" 11GA S.S. 90DEG. 24" CLR | 414675 |
| 4" 11GA ALUM. 45DEG. 30" CLR | 414676 |
| 4" 11GA ALUM. 90DEG. 30" CLR | 414677 |
| 4" 11GA S.S. 45DEG. 30" CLR | 414678 |
| 4" 11GA S.S. 90DEG. 30" CLR | 414679 |
| 4" 11GA ALUM. 45DEG. 36" CLR | 406034 |
| 4" 11GA ALUM. 90DEG. 36" CLR | 406035 |
| 4" 11GA S.S. 45DEG. 36" CLR | 414680 |
| 4" 11GA S.S. 90DEG. 36" CLR | 405042 |
| 4" 11GA ALUM. 45DEG. 48" CLR | 414682 |
| 4" 11GA ALUM. 90DEG. 48" CLR | 414683 |
| 4" 11GA S.S. 45DEG. 48" CLR | 414684 |
| 4" 11GA S.S. 90DEG. 48" CLR | 414685 |
| 4" 11GA ALUM. 45DEG. 60" CLR | 414686 |
| 4" 11GA ALUM. 90DEG. 60" CLR | 414687 |
| 4" 11GA S.S. 45DEG. 60" CLR | 414688 |
| 4" 11GA S.S. 90DEG. 60" CLR | 414689 |

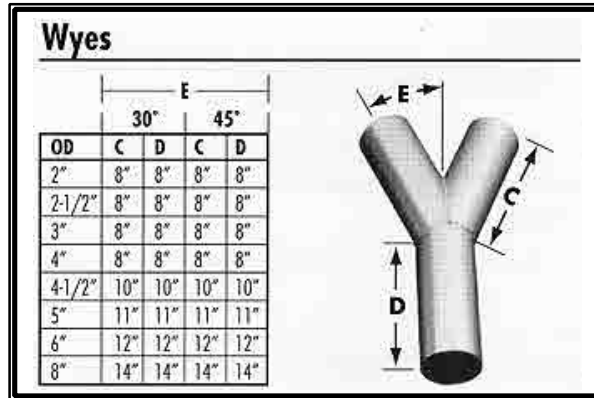
BENDS cont.

| DESCRIPTION | PART # |
|------------------------------|--------|
| 5" 11GA ALUM. 45DEG. 24" CLR | 414690 |
| 5" 11GA ALUM. 90DEG. 24" CLR | 414691 |
| 5" 11GA S.S. 45DEG. 24" CLR | 414692 |
| 5" 11GA S.S. 90DEG. 24" CLR | 414693 |
| 5" 11GA ALUM. 45DEG. 30" CLR | 414694 |
| 5" 11GA ALUM. 90DEG. 30" CLR | 414695 |
| 5" 11GA S.S. 45DEG. 30" CLR | 414696 |
| 5" 11GA S.S. 90DEG. 30" CLR | 414697 |
| 5" 11GA ALUM. 45DEG. 36" CLR | 414698 |
| 5" 11GA ALUM. 90DEG. 36" CLR | 414756 |
| 5" 11GA S.S. 45DEG. 36" CLR | 414699 |
| 5" 11GA S.S. 90DEG. 36" CLR | 414700 |
| 5" 11GA ALUM. 45DEG. 42" CLR | 414701 |
| 5" 11GA ALUM. 90DEG. 42" CLR | 414702 |
| 5" 11GA S.S. 45DEG. 42" CLR | 414703 |
| 5" 11GA S.S. 90DEG. 42" CLR | 414704 |
| 5" 11GA ALUM. 45DEG. 48" CLR | 414705 |
| 5" 11GA ALUM. 90DEG. 48" CLR | 414706 |
| 5" 11GA S.S. 45DEG. 48" CLR | 414707 |
| 5" 11GA S.S. 90DEG. 48" CLR | 414708 |
| 5" 11GA ALUM. 45DEG. 60" CLR | 414709 |
| 5" 11GA ALUM. 90DEG. 60" CLR | 414710 |
| 5" 11GA S.S. 45DEG. 60" CLR | 414711 |
| 5" 11GA S.S. 90DEG. 60" CLR | 414712 |

| DESCRIPTION | PART # |
|------------------------------|--------|
| 6" 11GA ALUM. 45DEG. 24" CLR | 414713 |
| 6" 11GA ALUM. 90DEG. 24" CLR | 414714 |
| 6" 11GA S.S. 45DEG. 24" CLR | 414715 |
| 6" 11GA S.S. 90DEG. 24" CLR | 414716 |
| 6" 11GA ALUM. 45DEG. 30" CLR | 414717 |
| 6" 11GA ALUM. 90DEG. 30" CLR | 414718 |
| 6" 11GA S.S. 45DEG. 30" CLR | 414719 |
| 6" 11GA S.S. 90DEG. 30" CLR | 414720 |
| 6" 11GA ALUM. 45DEG. 36" CLR | 414721 |
| 6" 11GA ALUM. 90DEG. 36" CLR | 414722 |
| 6" 11GA S.S. 45DEG. 36" CLR | 414723 |
| 6" 11GA S.S. 90DEG. 36" CLR | 414724 |
| 6" 11GA ALUM. 45DEG. 48" CLR | 414729 |
| 6" 11GA ALUM. 90DEG. 48" CLR | 414730 |
| 6" 11GA S.S. 45DEG. 48" CLR | 414731 |
| 6" 11GA S.S. 90DEG. 48" CLR | 414732 |
| 6" 11GA ALUM. 45DEG. 60" CLR | 414733 |
| 6" 11GA ALUM. 90DEG. 60" CLR | 414734 |
| 6" 11GA S.S. 45DEG. 60" CLR | 414735 |
| 6" 11GA S.S. 90DEG. 60" CLR | 414736 |
| 6" 11GA ALUM. 45DEG. 72" CLR | 414737 |
| 6" 11GA ALUM. 90DEG. 72" CLR | 414738 |
| 6" 11GA S.S. 45DEG. 72" CLR | 414739 |
| 6" 11GA S.S. 90DEG. 72" CLR | 414740 |

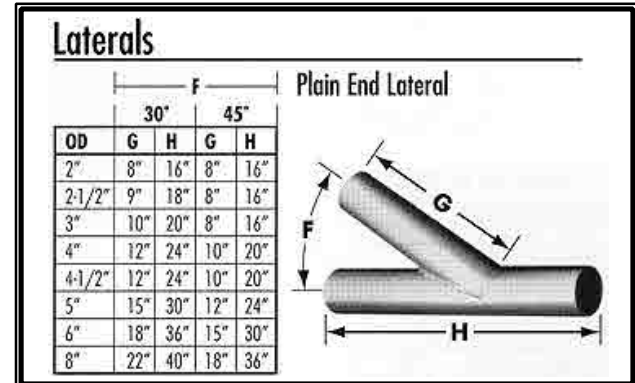
WYES

| DESCRIPTION | PART # |
|--------------------------|--------|
| 1 1/2" 45 DEG 16GA ALUM. | 414741 |
| 1 1/2" 45 DEG 16GA S.S. | 414742 |
| 2" 45 DEG 16GA ALUM. | 414743 |
| 2" 45 DEG 16GA S.S. | 414744 |
| 2 1/2" 45 DEG 16GA AUM. | 414745 |
| 2 1/2" 45 DEG 16GA S.S. | 414746 |
| 3" 45 DEG 14GA AUM | 413126 |
| 3" 45 DEG 14GA S.S. | 414747 |
| 4" 45 DEG 11GA ALUM. | 414748 |
| 4" 45 DEG 11GA S.S. | 414749 |



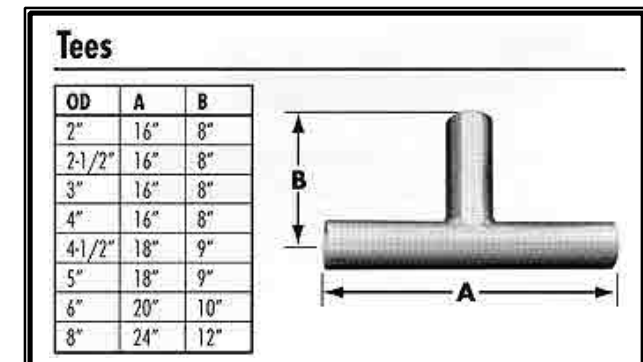
LATERALS

| DESCRIPTION | PART # |
|--------------------------|--------|
| 1 1/2" 45 DEG 16GA ALUM. | 409676 |
| 1 1/2" 45 DEG 16GA S.S. | 414750 |
| 2" 45 DEG 16GA ALUM. | 408060 |
| 2" 45 DEG 16GA S.S. | 401994 |
| 2 1/2" 45 DEG 16GA AUM. | 402398 |
| 2 1/2" 45 DEG 16GA S.S. | 414751 |
| 3" 45 DEG 14GA ALUM. | 413127 |
| 3" 45 DEG 14GA S.S. | 414752 |
| 4" 45 DEG 11GA ALUM | 411045 |
| 4" 45 DEG 11GA S.S. | 414753 |



TEE'S

| DESCRIPTION | PART # |
|----------------------|----------|
| 1 1/2" TEE ALUM 16GA | 405219 |
| 2" TEE ALUM 16GA | 410234 |
| 2 1/2" TEE ALUM 16GA | SK90018A |
| 3" TEE ALUM 14GA | 414755 |
| 4" TEE ALUM 11GA | 414754 |



WYES OFFSETS & TEE'S ARE AVAILABLE IN ALUMINUM, STAINLESS & CERAMIC LINED IN A VARIETY OF WALL THICKNESSES AND SIZES. CALL FOR COMPLETE LIST.

WYES OFFSETS & TEE'S ARE AVAILABLE IN ALUMINUM, STAINLESS & CERAMIC LINED IN A VARIETY OF WALL THICKNESSES AND SIZES. CALL FOR COMPLETE LIST.

WYES PARALLEL

CALL FOR ORDERING OPTIONS



OFFSETS

CALL FOR ORDERING OPTIONS



TUBING MISC.

| DESCRIPTION | PART # |
|----------------------------|---------------|
| METER DIGITAL PRESSURE. | 414756 |
| GAUGE VACUUM 2.5" LIQ. STD | 410740 |

