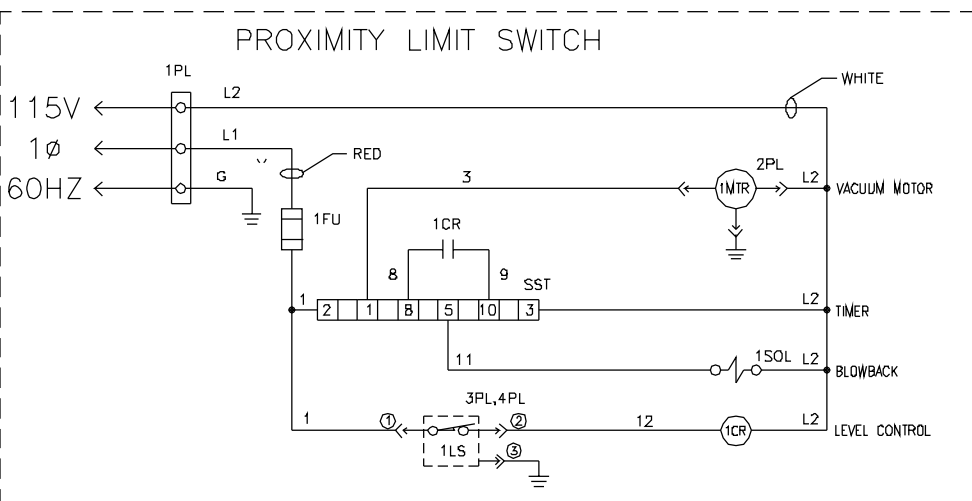
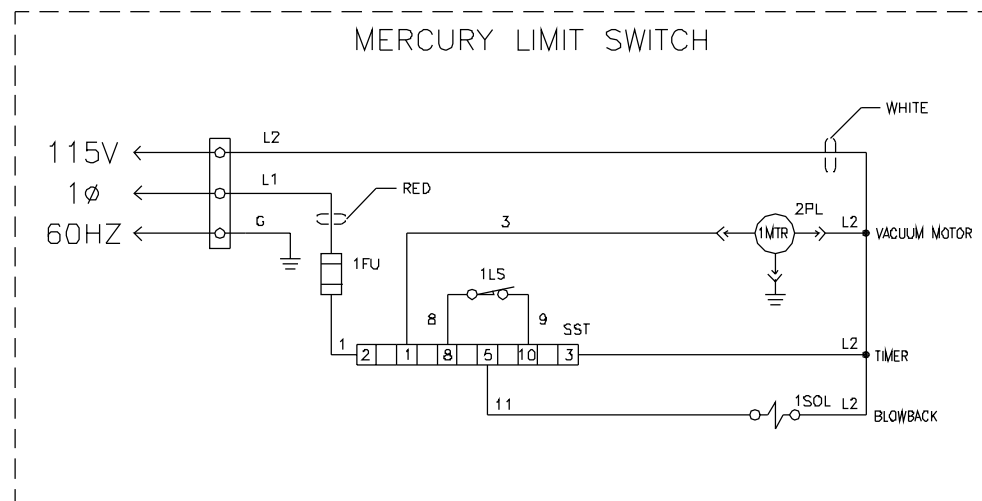


WD200504A

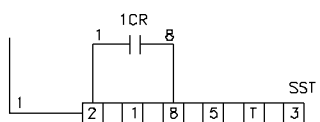
CONVERSION FROM 413784 TO 414223



413784 TIMER (OLD)

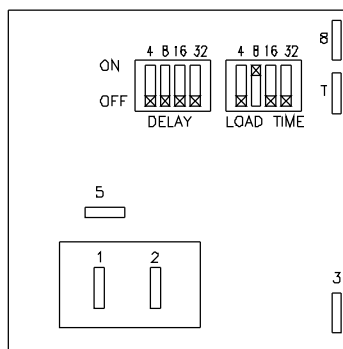


413784 TIMER (OLD)

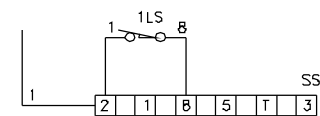


CHANGE THE #9 WIRE TO A #1. PLUG ONTO DOUBLE SPADE CONNECTOR ON PIN 2.

414223 TIMER (NEW)



414223



CHANGE THE #9 WIRE TO A #1. PLUG ONTO DOUBLE SPADE CONNECTOR ON PIN 2.

414223 TIMER (NEW)

INCLUDE DOUBLE SPADE CONNECTOR AND #1 WIRE LABEL