

## **PUSH UP MOTOR INSTALLATION FOR TD-12 & TD-24**

### **REMOVING THE PUSH-UP MOTOR:**

If it is possible to Force a Shift, do so. Disconnect the power from the unit after the manifold has pulled down and the beds have started to rotate. Unwire the motor wires from the terminal block inside the dryer control panel. From inside the dryer cabinet, pull the motor cord set out of the control box. Remove the dog leg screws from the tube on the bottom of the manifold. Remove the bolts from the push-up motor feet to the bottom deck. Pivot the feet under the motor and pull the shaft out of the tube on the bottom of the manifold.

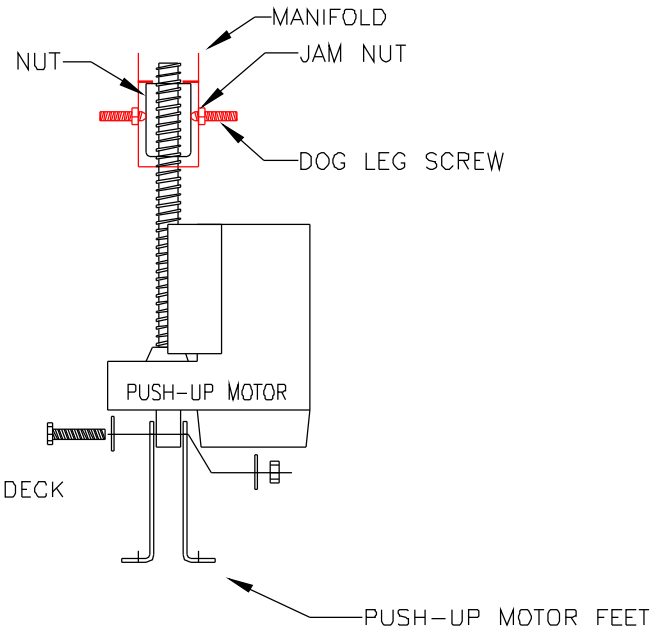
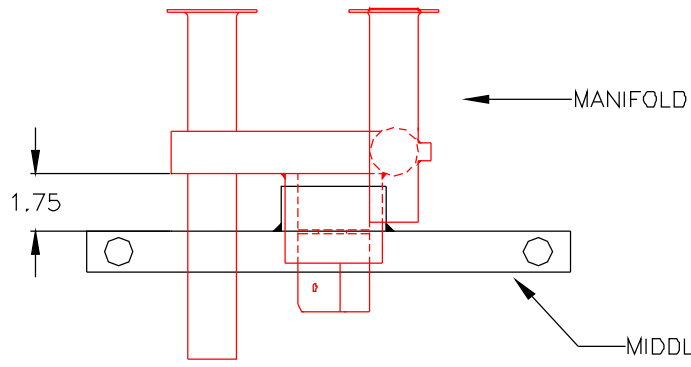
### **INSTALLING THE PUSH-UP MOTOR:**

Hold the manifold up and insert the shaft with nut of the new push-up motor, into the manifold tube. Pivot the feet under the push-up motor and bolt the feet to the bottom deck. Block or hold the manifold up at the proper distance from the middle deck. Distance should be 1.75". Adjust the nut up or down so that when the manifold tube sits on top of the nut, you still maintain the distance between the bottom of the manifold and the top of the middle deck. **DO NOT LET THE SHAFT TURN WHILE ADJUSTING THE PUSH-UP NUT.** Replace the dog leg screws and tighten the jam nuts. **Do not over screw the dog leg screws into the nut.** Feed the push-up motor cord set into the dryer control box and wire to the terminal block. (see wiring diagram).

### **TESTING THE PUSH-UP MOTOR:**

Remove the heater fuses. Apply power to the unit. After the beds have finished rotating, watch the push-up motor to see if it turns off when the beds push on the upper bed seals. **NOTE: IF THE MOTOR IS OUT OF ADJUSTMENT, THE MOTOR MAY STALL AND BURN OUT THE WINDINGS. USE AN AMP PROBE ON THE RED WIRE OF THE PUSH-UP MOTOR TO SEE IF THE MOTOR HAS TURNED OFF.** If there is still a current draw, force a shift . When the manifold has pulled down, disconnect the power. Adjust the nut down. Replace the power and check to see that the beds seal properly, and the push-up motor turns off.

If the beds don't seal and there is too much of a gap between the seals and the top of the beds, adjust the nut up the distance of the gap plus 1/8". Check that all three beds seal in each position. Disconnect the power. Replace the heater fuses.



## **PUSH UP MOTOR INSTALLATION FOR TD-40 THRU TD-360**

### **REMOVING THE PUSH-UP MOTOR:**

If it is possible to Force a Shift, do so. Disconnect the power from the unit after the manifold has pulled down and the beds have started to rotate. Unwire the motor wires from the terminal block inside the dryer control panel. From inside the dryer cabinet, pull the motor cord set out of the control box. Remove the split collar from the tube on the bottom of the manifold. Remove the bolts from the push-up motor feet to the bottom deck. Pivot the feet under the motor and pull the shaft out of the tube on the bottom of the manifold.

### **INSTALLING THE PUSH-UP MOTOR:**

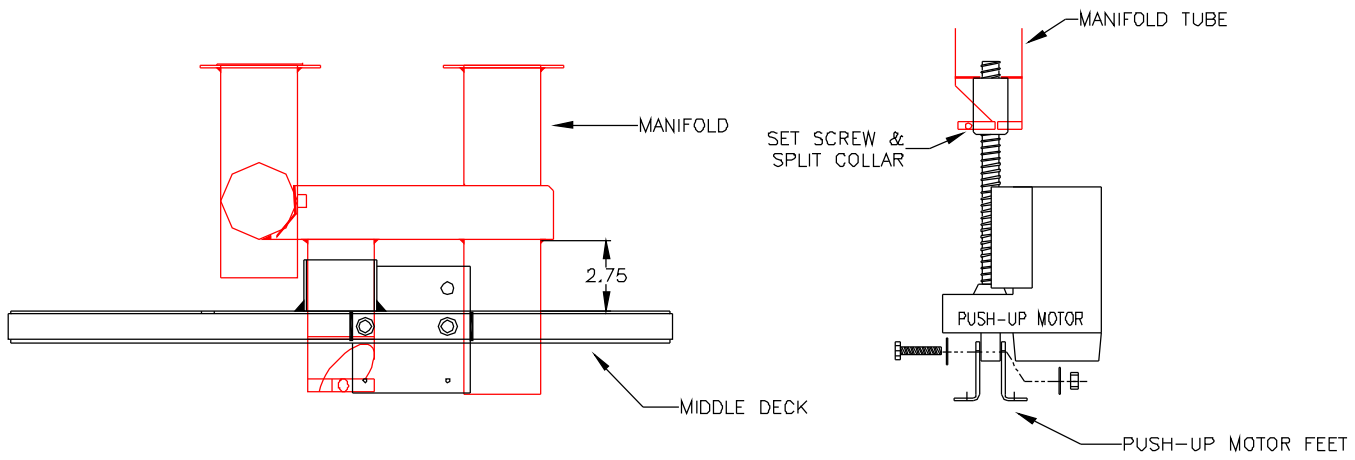
Hold the manifold up and insert the shaft with nut of the new push-up motor, into the manifold tube. Pivot the feet under the push-up motor and bolt the feet to the bottom deck. Block or hold the manifold up at the proper distance from the middle deck. Distance should be **2.75"** for a TD-40 through the TD-120, **5.00"** for the TD-150 through TD-360. Adjust the nut up or down so that when the manifold tube sits on top of the nut, you still maintain the proper distance between the bottom of the manifold and the top of the middle deck. **DO NOT LET THE SHAFT TURN WHILE ADJUSTING THE PUSH-UP NUT.** Replace the split collar. Feed the push-up motor cord set into the dryer control box and wire to the terminal block. (see wiring diagram).

### **TESTING THE PUSH-UP MOTOR:**

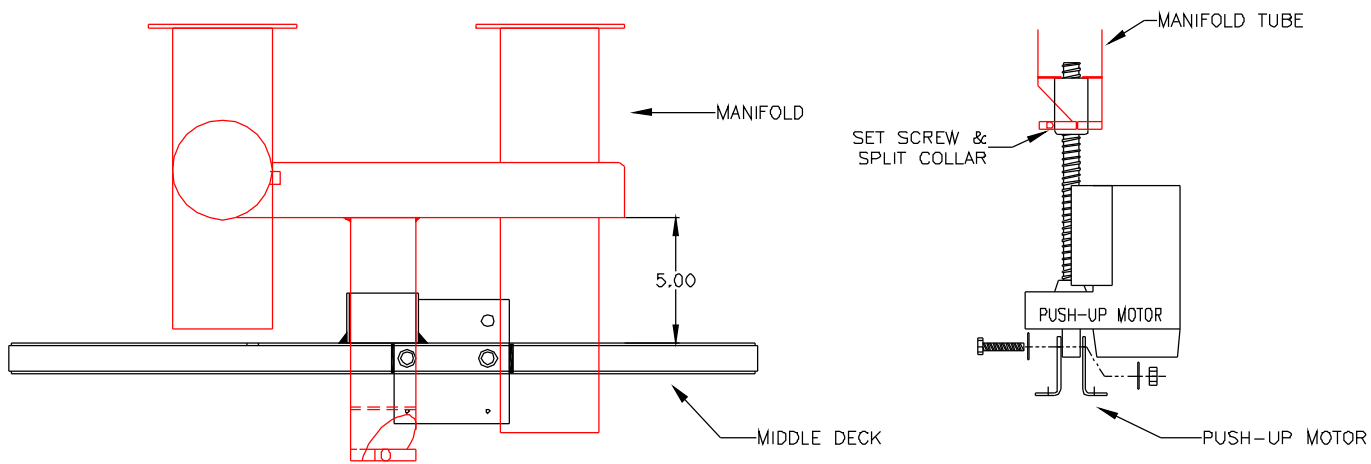
Remove the heater fuses. Apply power to the unit. After the beds have finished rotating, watch the push-up motor to see if it turns off when the beds push on the upper bed seals. **NOTE: IF THE MOTOR IS OUT OF ADJUSTMENT, THE MOTOR MAY STALL AND BURN OUT THE WINDINGS. USE AN AMP PROBE ON THE RED WIRE OF THE PUSH-UP MOTOR TO SEE IF THE MOTOR HAS TURNED OFF.** If there is still a current draw, force a shift. When the manifold has pulled down, disconnect the power. Adjust the nut down. Replace the power and check to see that the beds seal properly, and the push-up motor turns off.

If the beds don't seal and there is too much of a gap between the seals and the top of the beds, adjust the nut up the distance of the gap plus 1/8". Check that all three beds seal in each position. Disconnect the power. Replace the heater fuses.

### TD-40 THROUGH TD-120



### TD-150 THROUGH TD-360



## PULL-DOWN MOTOR REPLACEMENT INSTRUCTIONS: TD-12 THROUGH TD-360 (WITH DOG LEG SCREWS)

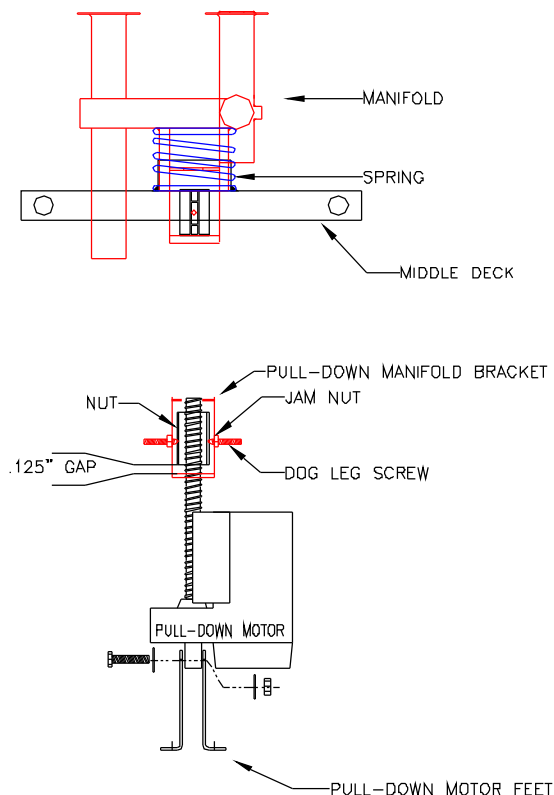
The manifold must be in the up position before starting this procedure.

- 1) Disconnect the power from the unit.
- 2) Unwire the motor from the terminal block of the dryer control panel. (see the wiring diagram). From inside the dryer cabinet, pull the motor cord set out of the pulling elbow.
- 3) Loosen the jam nuts on the dog leg screws and remove the dog leg screws from the pull-down manifold bracket.
- 4) Turn the drive nut up as far as possible inside the manifolds pull-down bracket.
- 5) Remove the bolts holding the pull-down motor feet to the bottom deck. Pivot the feet out from under the pull-down motor.
- 6) Lower the motor and turn the drive nut upward until the nut comes off the end of the pull-down motor shaft.

Reverse the procedure to replace the pull-down motor.

**NOTE:** When putting the dog leg screws into the groove in the drive nut, the nose of the screws should be in the groove, but not touching the drive nut. The drive nut should slide smoothly up and down on the screws.

**NOTE:** Maintain a .125" gap between the bottom of the drive nut and the bottom of the manifold pull-down bracket.



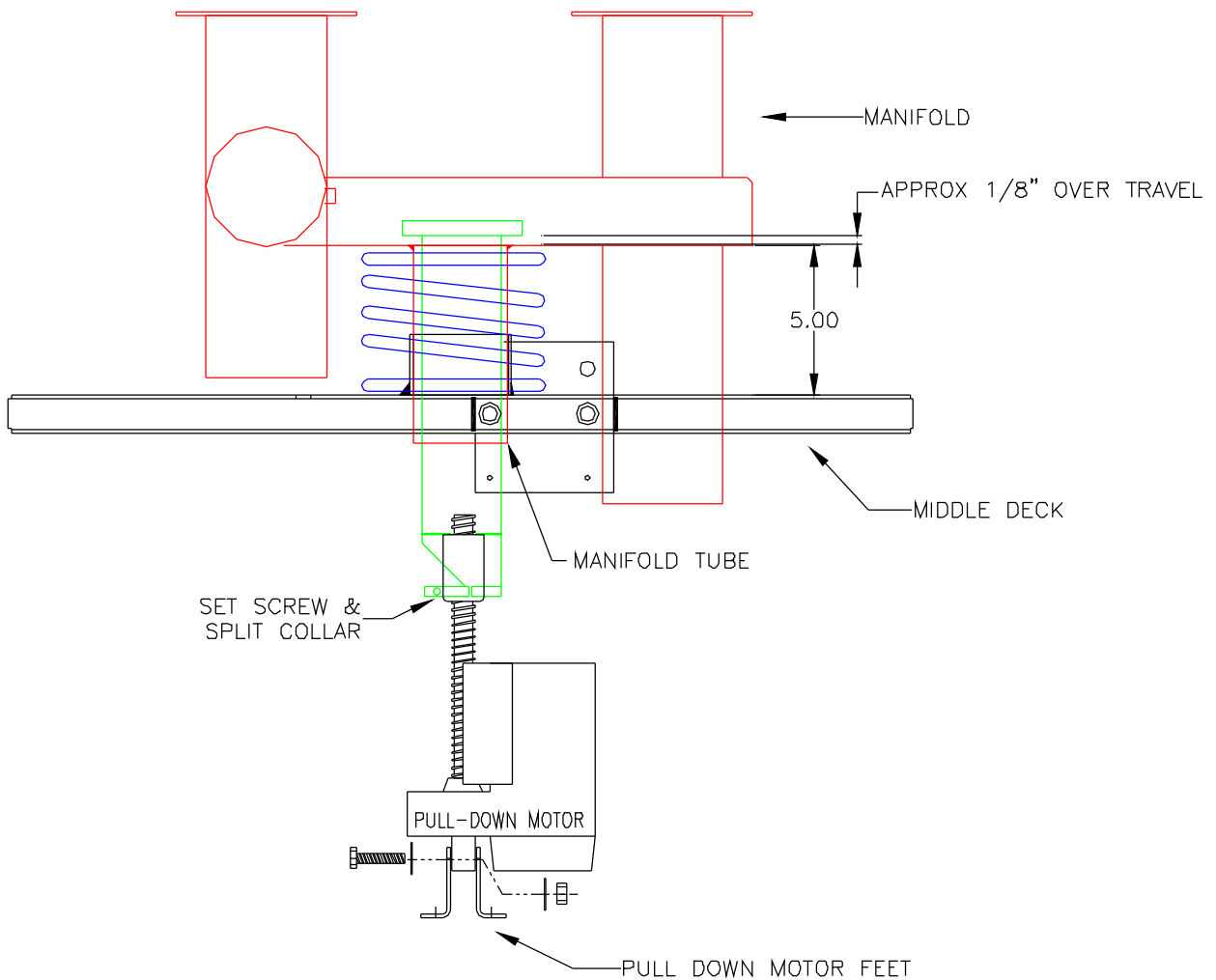
## PULL-DOWN MOTOR REPLACEMENT INSTRUCTIONS: TD-12 THROUGH TD-360 (WITH SPLIT COLLAR)

With the pull-down motor in the up position, slide the shaft onto the pull-down tube until the motor is in an upright position. Align the pull-down motor feet with the holes in the blower deck. Mount the motor feet to the deck.

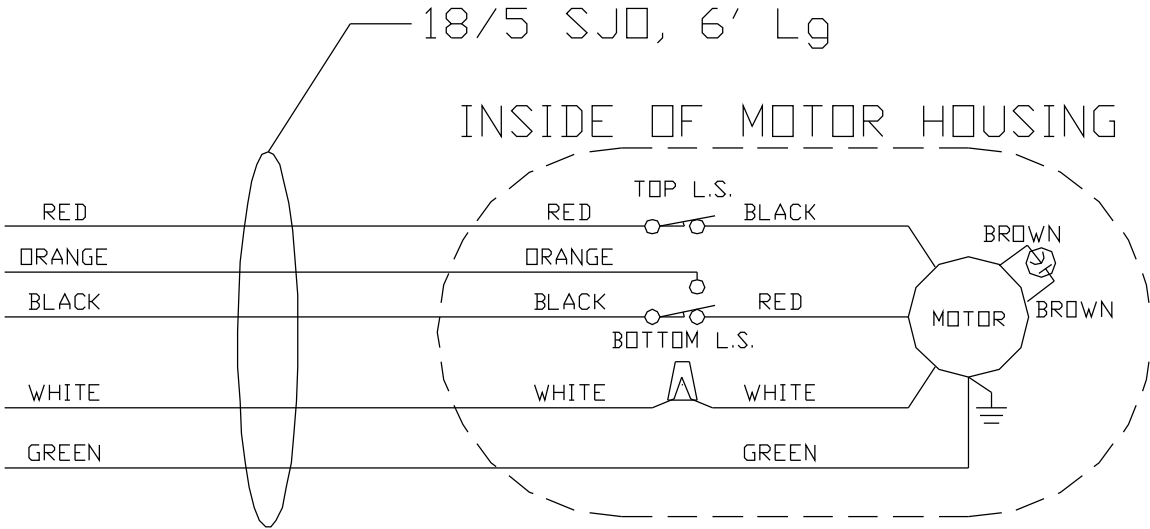
Adjust the pull-down motor nut up or down on the shaft so that the top of the pull-down tube is approximately 1/8" above the inside of the manifold.

Replace the half clevis and tighten the set screws.

The pull-down motor should be ready to use.



# LINEAR MOTOR WIRING INSTRUCTIONS



## CONVERSION FROM VON WEISE

COLOR OF WIRE	HUBBEL	FUNCTION
VW	RED	UP (HOT)
RED	BLACK	DOWN (HOT)
BLACK	WHITE	NEUTRAL
WHITE	ORANGE	ROTATE MOTOR
BLUE	GREEN	GROUND
---		

# NUT ADJUST INSTRUCTIONS

WITH THE MOTOR NOT CONNECTED TO THE MANIFOLD, CONNECT 115 VAC TO THE WHITE AND RED WIRE TO BRING THE SHAFT INTO THE UP POSITION.

HOLD THE SHAFT FROM MOVING AND TURN THE NUT SO IT IS FLUSH WITH THE TOP OF THE SHAFT.

HOLD THE NUT AND APPLY 115 VAC TO THE WHITE AND BLACK WIRES UNTIL THE MOTOR STOPS. DISCONNECT POWER.

MEASURE THE DISTANCE FROM THE TOP OF THE SHAFT TO THE TOP OF THE NUT. THIS SHOULD BE  $7/8"$  TO  $1"$ . ADJUST THE TRAVEL ADJUSTMENT SCREW TO INCREASE OR DECREASE TO MAKE THE NUT TRAVEL  $7/8"$  TO  $1"$ .

NOTE: ALWAYS ADJUST WITH THE SHAFT IN THE BOTTOM POSITION, AND ALWAYS RUN SHAFT TO THE TOP POSITION AND READJUST THE NUT TO RECHECK THE NUT TRAVEL AFTER MAKING AN ADJUSTMENT.

